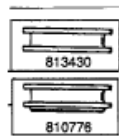
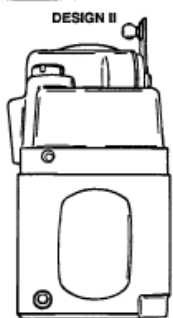
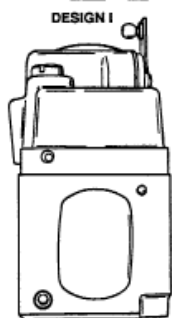
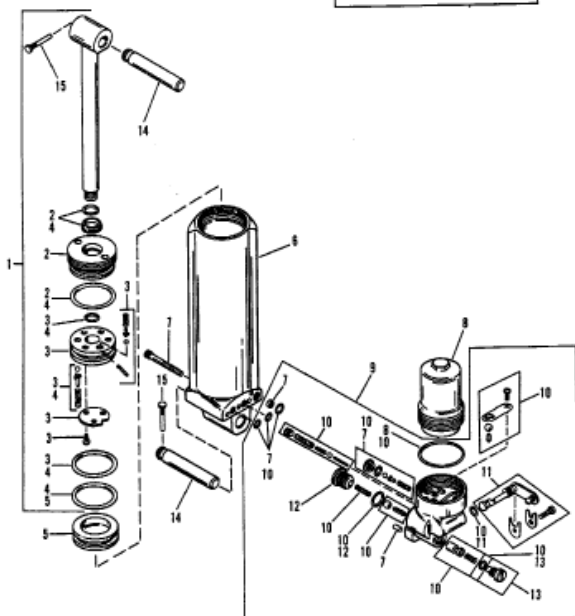


**MANUAL TILT COMPONENTS**

**LONG SHAFT  
 SERIAL #C-159200  
 & ABOVE**



MANUAL TILT COMPONENTS

**Parts List**

Ref	Class	Part	Description	Qty	Comment	Footnote
1		813427	SHOCK ROD ASSEMBLY KIT	1		
2		813428	CYLINDER END CAP	1		
3		813429	SHOCK PISTON	1		
4		813432A	CYLINDER REBUILD KIT	1		
5		813430	MEMORY PISTON KIT ( SEE NOT	1		
5		810776	MEMORY PISTON KIT ( SEE NOT	1		
6		810777	CYLINDER ( DESIGN I )	1	SEE ILLUSTRATION	
6		811224	CYLINDER ( DESIGN II )	1	SEE ILLUSTRATION	
7		813433A	SCREW AND SEAL KIT , CYLINDE	1		
8		813454A	ACCUMULATOR	1		
9		813455	VALVE BLOCK ASSEMBLY	1		
10		813456A	REPAIR KIT , VALVE BLOCK	1		
11		813457A	CAM ASSEMBLY KIT	1		
12	22	813458	PLUG KIT	1		
13	22	813459	PLUG KIT	1		
14	17	19607	PIN	2		
15	17	19603	GROOVE PIN	2		